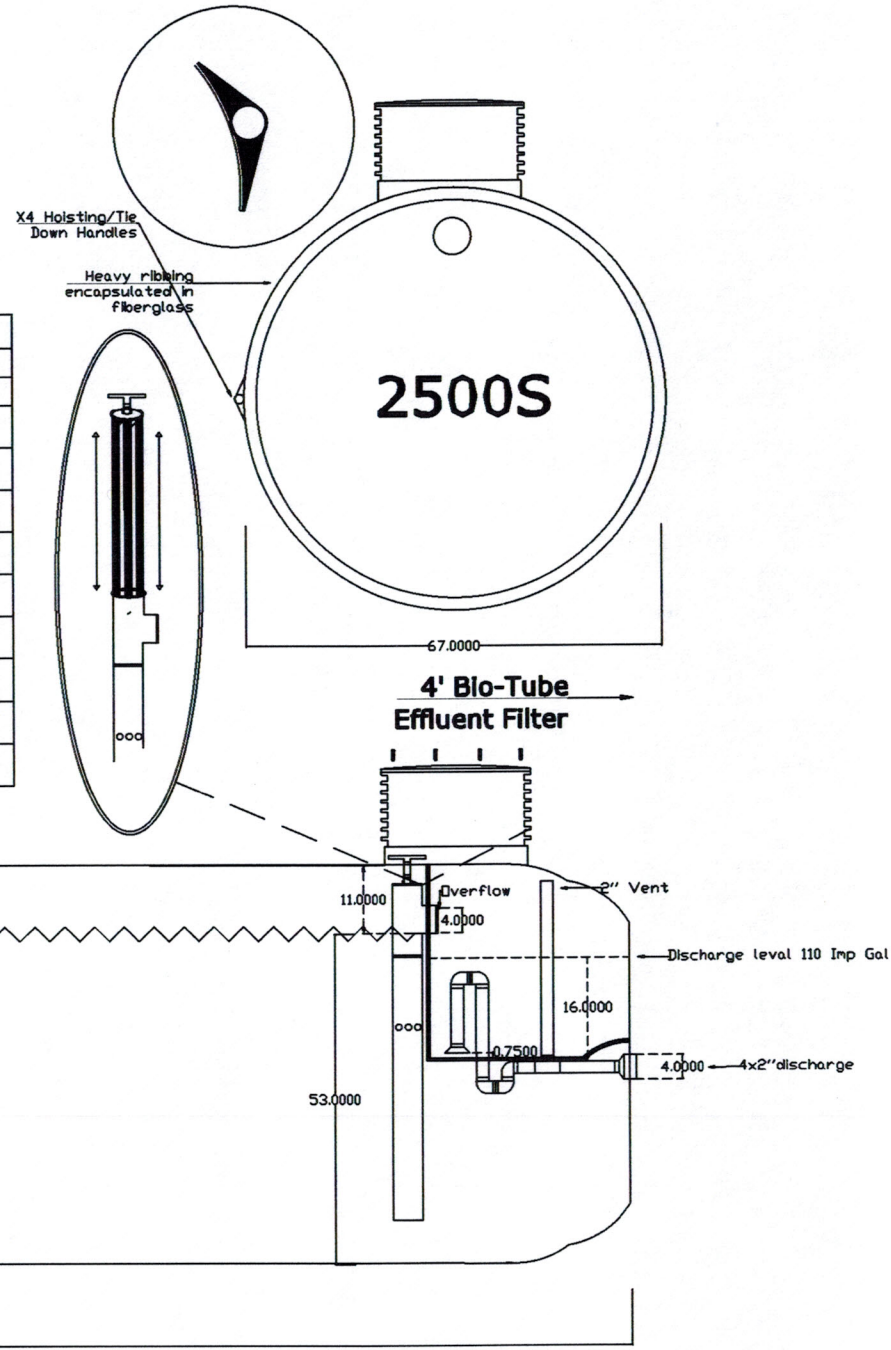


Specifications	
Tank Model	2500 Siphon
Total Length	223"
Total Height	64"
Total Weight	2000 lbs
Outlet Height	N/A
Inlet Height	57"
Inlet Size	6" SDR
Outlet Size	N/A
Working Capacity	<2072 Imp Gal, 3558 US>13479 L
Effluent Capacity	<110 Imp Gal, 132 US> 500L
Manway Extensions	24" Drenco Ultra Rib



6" Inlet- All septic tanks include a 6"x4" Fernco Reducer boot. Allows for flex during settling

