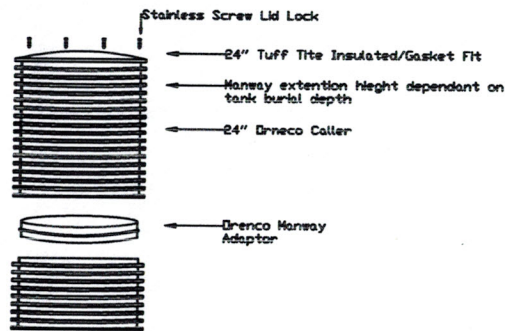
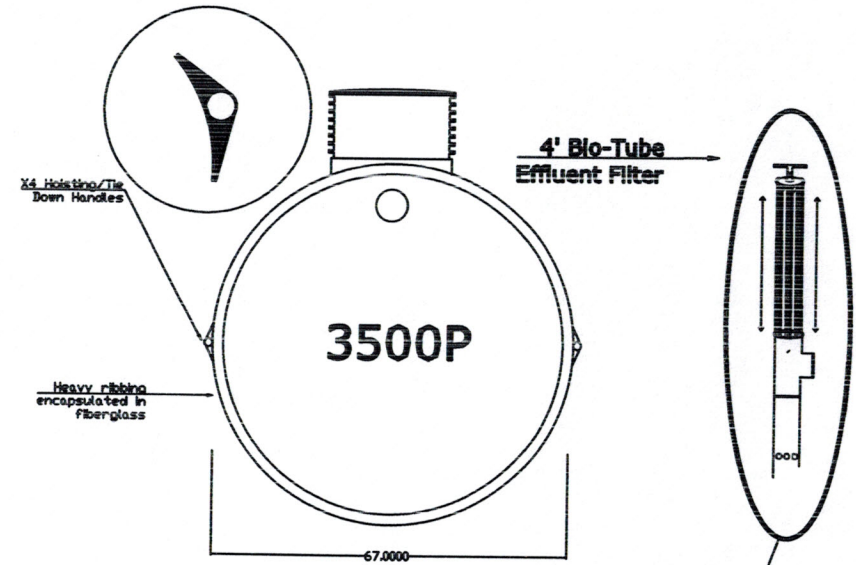
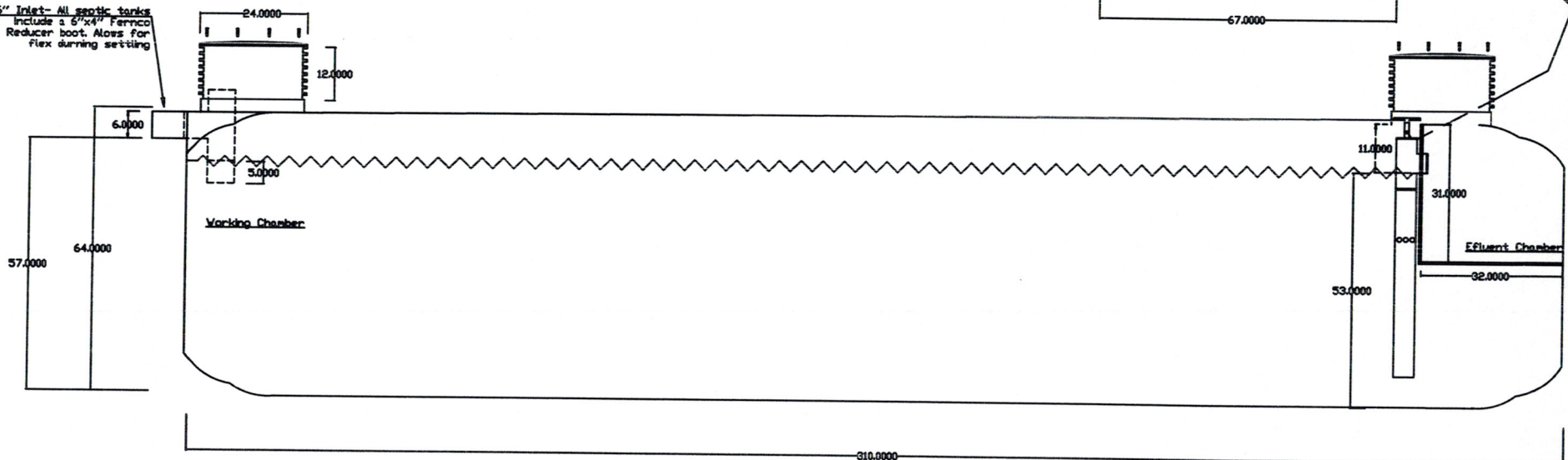


Specifications	
Tank Model	3000 Pump-out
Total Length	310"
Total Height	64"
Total Weight	2500lbs
Outlet Height	N/A
Inlet Height	57"
Inlet Size	6" SDR
Outlet Size	N/A
Working Capacity	(2965 Imp Gal, 3558 US) 13479 L
Effluent Capacity	(110 Imp Gal, 132 US) 500L
Manway Extensions	24" Drenco Ultra Rib



6" Inlet- All septic tanks include a 6"x4" Fernco Reducer boot. Allow for flex during setting



3500P

4' Bio-Tube Effluent Filter

24 Hoisting/Tie Down Handles

Heavy ribbing encapsulated in fiberglass

67.000

310.000