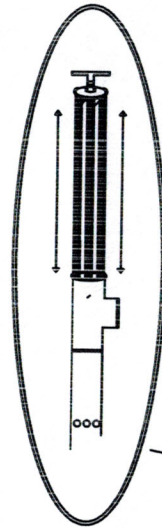
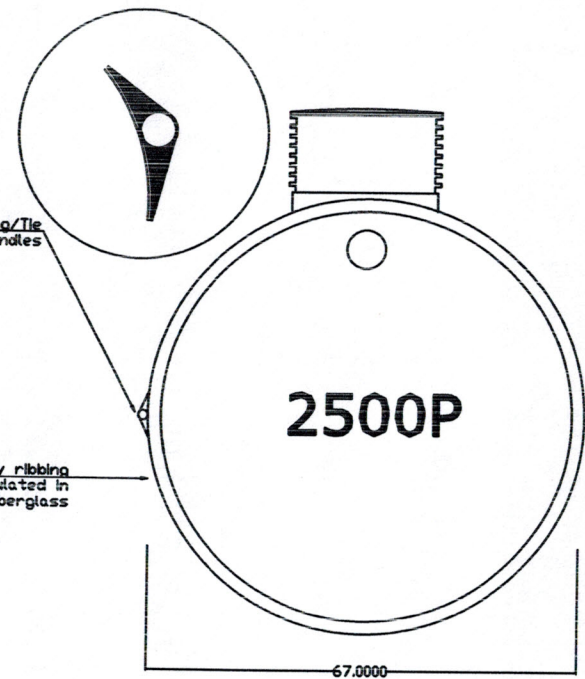


Specifications	
Tank Model	2500 Pump-out
Total Length	223"
Total Height	64"
Total Weight	2500lbs
Outlet Height	N/A
Inlet Height	57"
Inlet Size	6" SDR
Outlet Size	N/A
Working Capacity	(2072 Imp Gal, 2486 US, 9324 L)
Effluent Capacity	(110 Imp Gal, 132 US) 500L
Manway Extensions	24" Orneco Ultra Rib



X4 Hoisting/Tie Down Handles



Heavy ribbing encapsulated in fiberglass

4' Bio-Tube Effluent Filter

6" Inlet- All septic tanks include a 6"x4" Fernco Reducer boot. Allows for flex during settling

