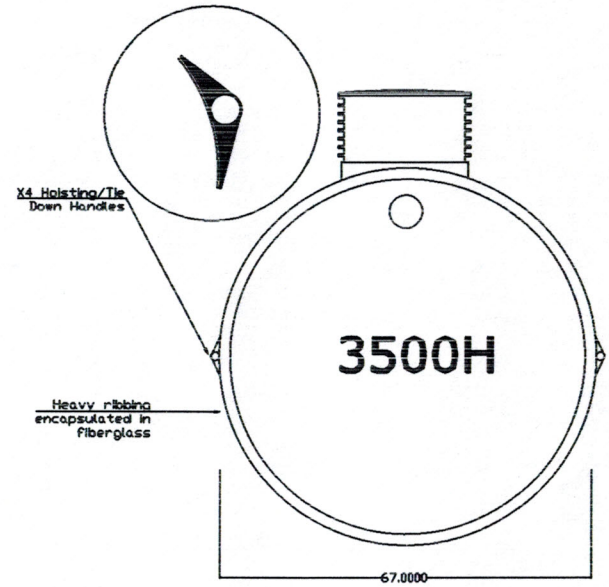
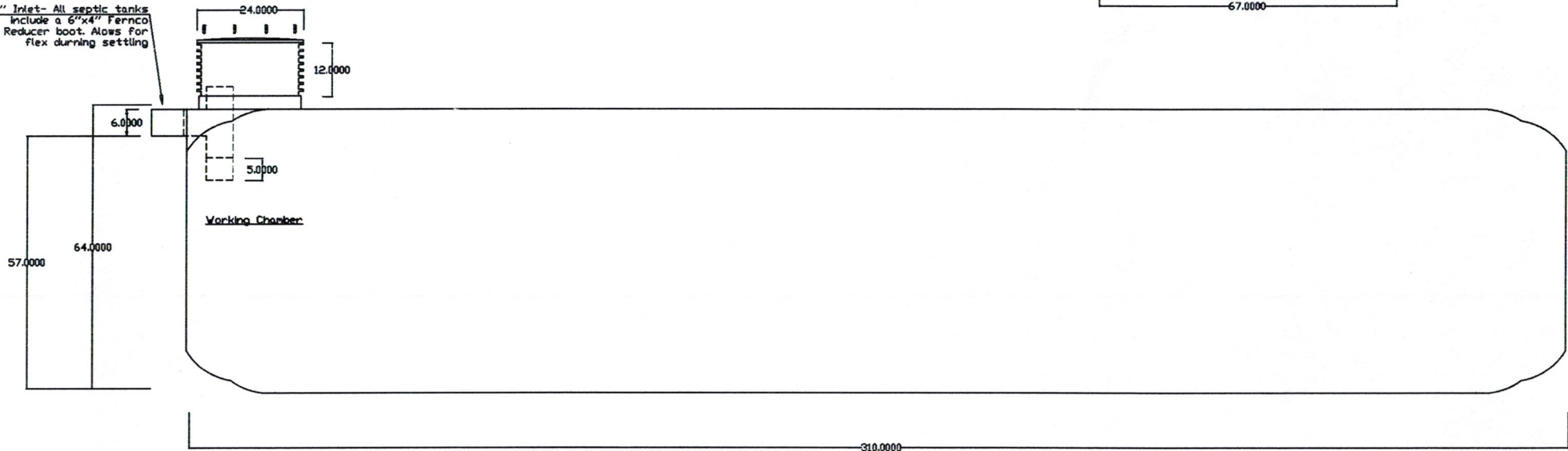


Specifications	
Tank Model	3500 Holding
Total Length	310"
Total Height	64"
Total Weight	2500lbs
Outlet Height	N/A
Inlet Height	57"
Inlet Size	6" SDR
Outlet Size	N/A
Working Capacity	(3500 Imp Gal, 4200 US) 15750 L
Effluent Capacity	N/A
Manway Extensions	24" Drenco Ultra Rib



6" Inlet- All septic tanks include a 6"x4" Fernco Reducer boot. Allows for flex during settling



310.0000