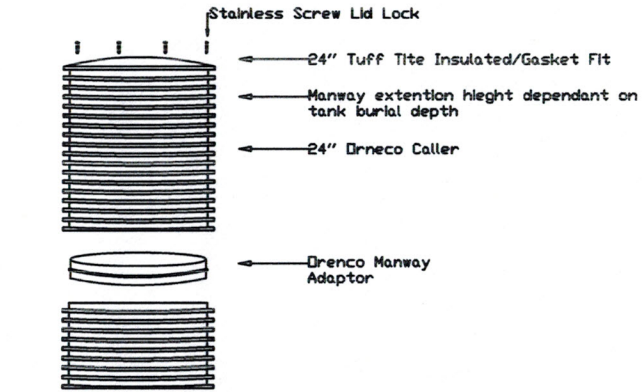
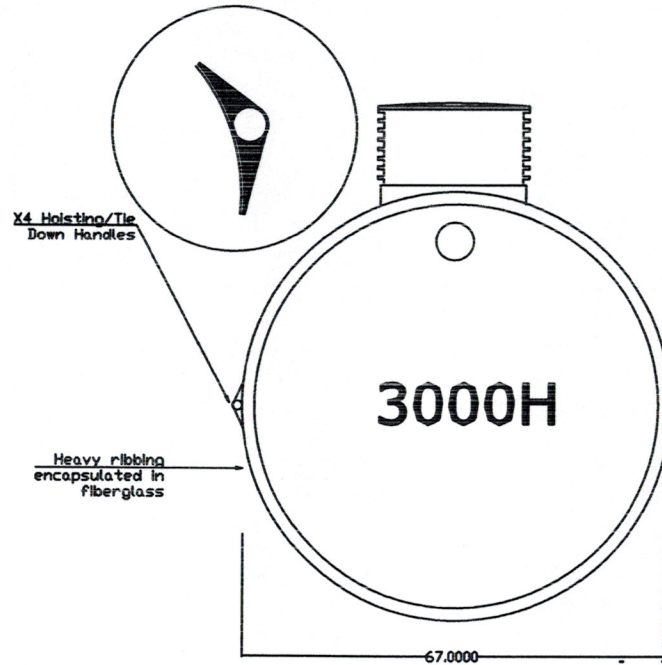


Specifications	
Tank Model	3000 Holding
Total Length	266"
Total Hieght	64"
Total Wleight	2500lbs
Outlet Hieght	N/A
Inlet Hieght	57"
Inlet Size	6" SDR
Outlet Size	N/A
Working Capacity	(3000 Imp Gal, 3600 US) 13500 L
Effluent Capacity	N/A
Manway Extentions	24" Drenco Ultra Rib



6" Inlet- All septic tanks include a 6"x4" Fernco Reducer boot. Allows for flex durning settling

