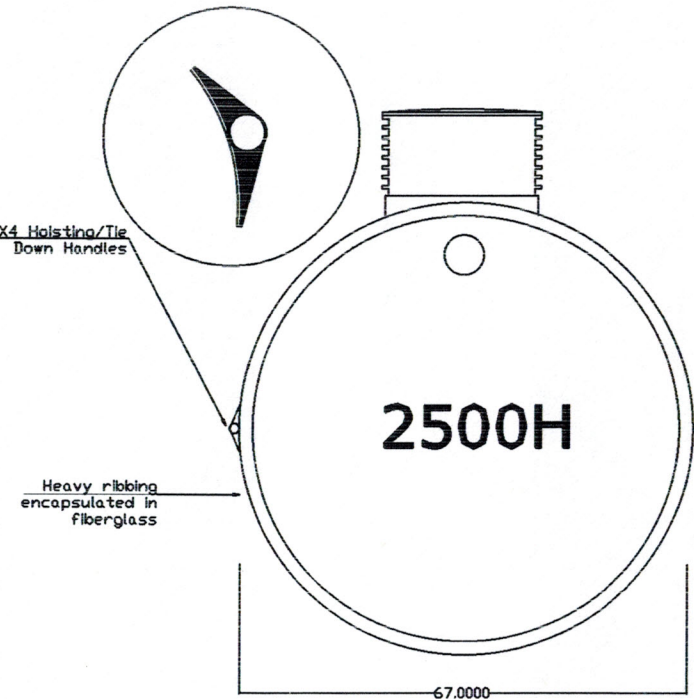


Specifications	
Tank Model	2500 Holding
Total Length	223"
Total Height	64"
Total Weight	2000 lbs
Outlet Height	N/A
Inlet Height	57"
Inlet Size	6" SDR
Outlet Size	N/A
Working Capacity	<2500 Imp Gal, 3000 US>24750 L
Effluent Capacity	N/A
Manway Extensions	24" Drenco Ultra Rib



6" Inlet- All septic tanks include a 6"x4" Fernco Reducer boot. Allows for flex during settling

