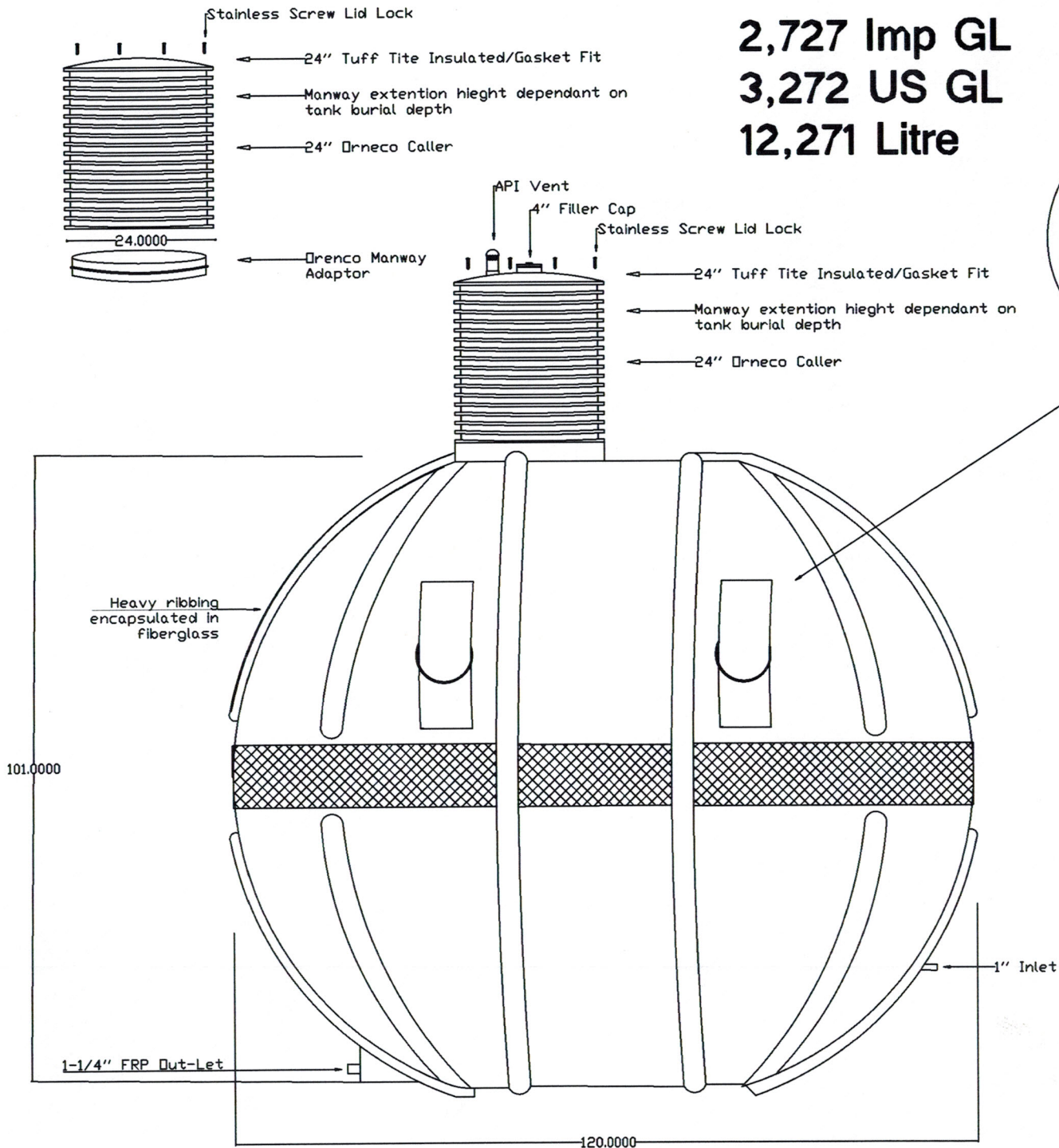
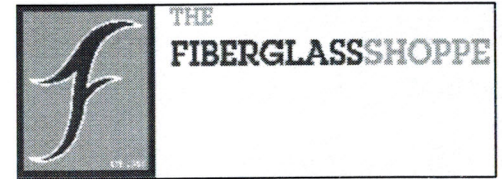


2,727 Imp GL
3,272 US GL
12,271 Litre



X4 Hoisting/Tie Down Handles



Specifications	
Tank Model	2727 Cistern
Total Length	120"
Total Height	101"
Total Weight	950 lbs
Outlet Height	3"
Inlet Height	30"
Inlet Size	1" FRP Female Thread
Outlet Size	1-1/4" FRP female thread
Working Capacity	2727 Imp GL, 3272 US, 12271 L
Manway Extensions	24" Orneco Ultra Rib 3ft Included