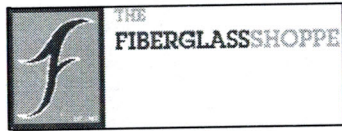
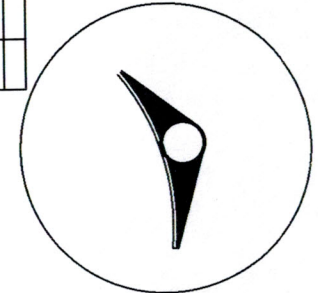
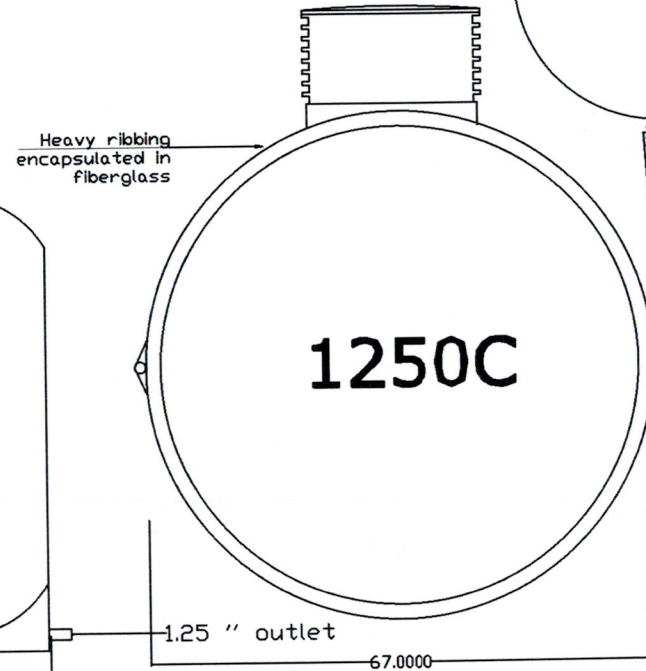
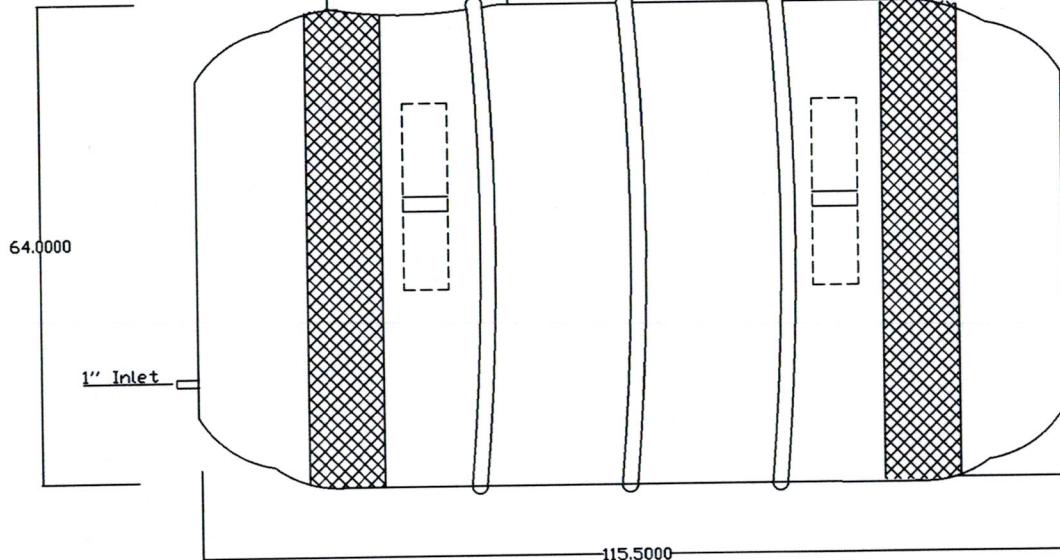
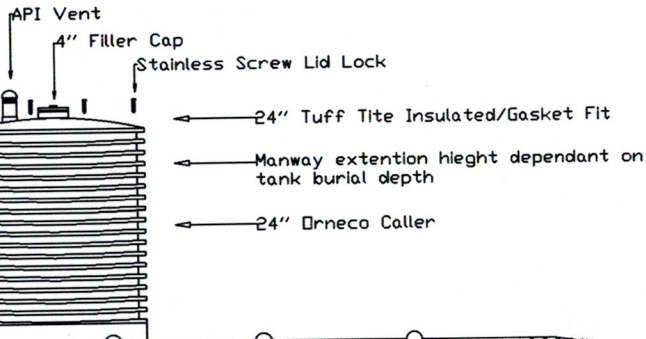
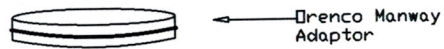
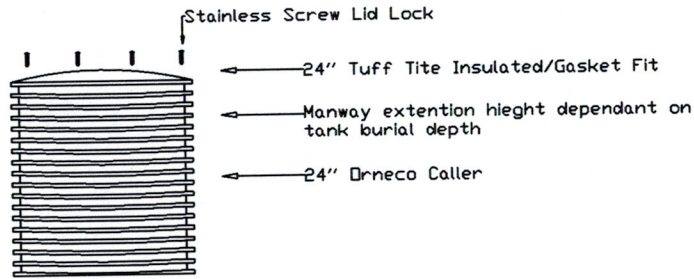


1250 Imp GL  
1500 US GL  
5625 Litre



Specifications	
Tank Model	1250 Cistern
Total Length	115.5"
Total Height	64"
Total Weight	725lbs
Outlet Height	3"
Inlet Height	16"
Inlet Size	1"
Outlet Size	1.25"
Working Capacity	(1250 Imp Gal, 1500 US) 5625 L
Effluent Capacity	N/A
Manway Extensions	24" Drenco Ultra Rib



X4 Hoisting/Tie Down Handles