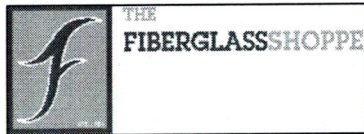
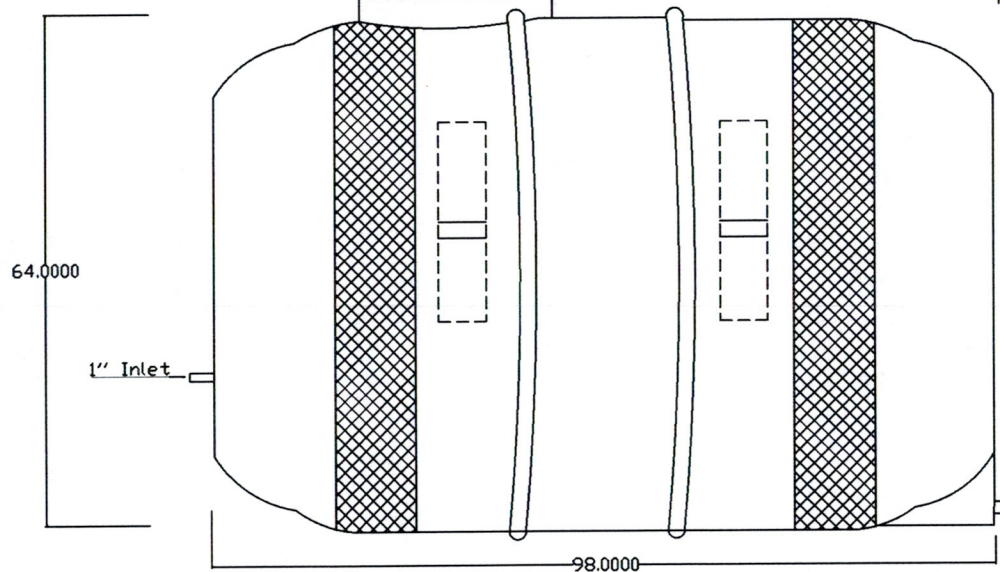
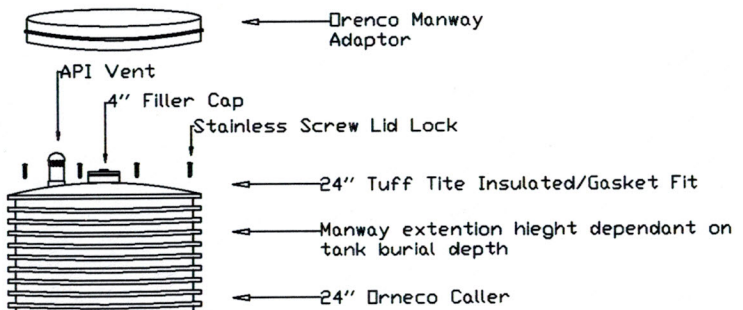
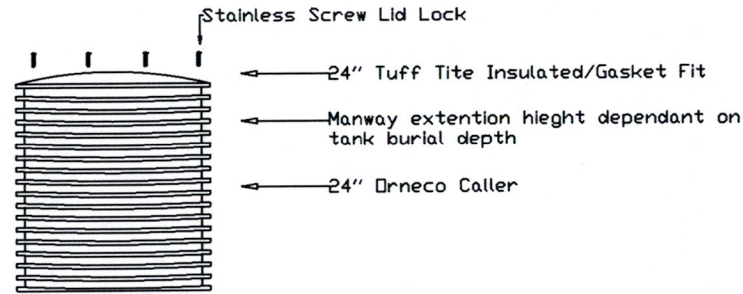


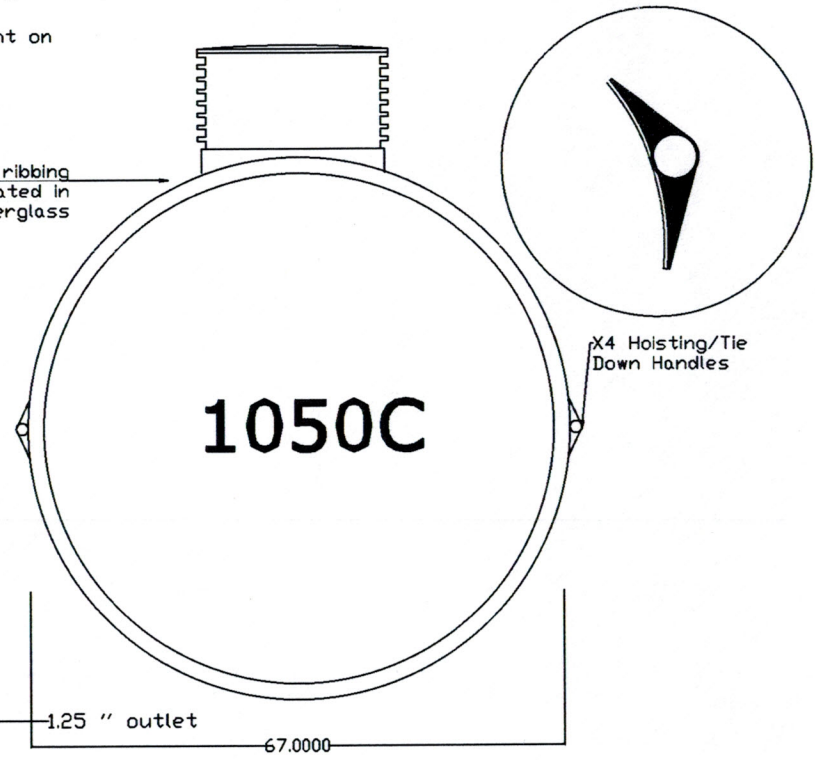
1050 Imp GL  
1260 US GL  
4725 Litre



Specifications	
Tank Model	1050 Cistern
Total Length	98"
Total Height	64"
Total Weight	600 Lbs
Outlet Height	N/A
Inlet Height	57"
Inlet Size	6" SDR
Outlet Size	N/A
Working Capacity	1050 Imp Gal, 1260 US ,4725 L
Effluent Capacity	N/A
Manway Extensions	24" Drenco Ultra Rib



Heavy ribbing encapsulated in fiberglass



1.25" outlet  
67.0000